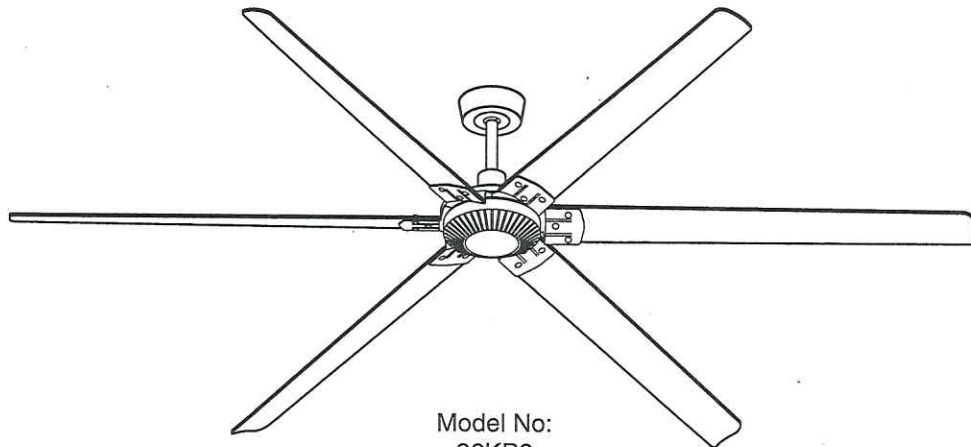


---

# Owner's Manual



**Grand Aire**



Model No:  
96KP6

These instructions contain 6 pages:

- Page 1: Foreword
- Page 2: Unpack and inspect parts contained, and pre-installation notes
- Page 3: Hanging system Installation
- Page 4: Wiring connections, Canopy installation and Blade installation
- Page 5: Remote control instructions
- Page 6: Remote pairing, Multiple fans, Button functions, and Wifi setup

Net Weight

KGS

LBS

**Toll Free 1-855-676-7247**

**WARNING:** Read and follow these instructions carefully and be mindful of all warnings shown throughout.

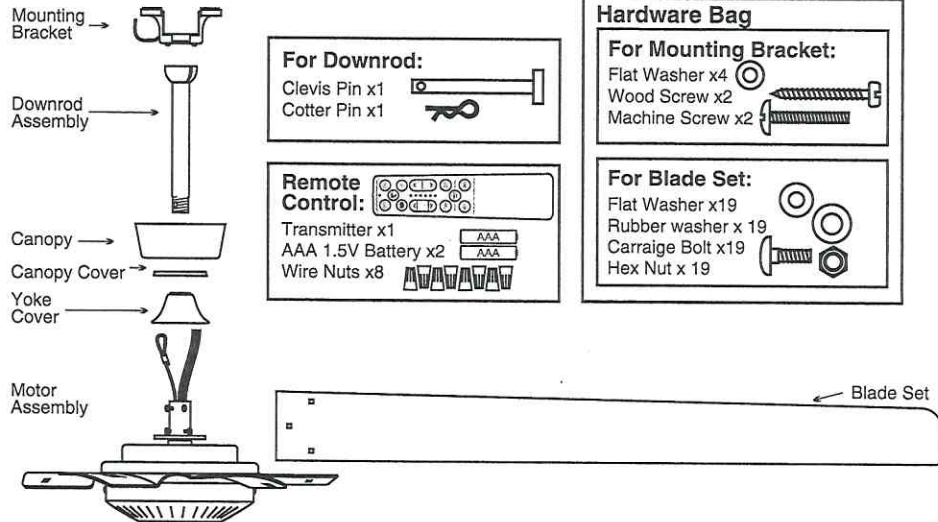
---

## READ AND SAVE THESE INSTRUCTIONS

### **WARNING : TO REDUCE THE RISK OF FIRE, ELECTRICAL SHOCK, OR INJURY TO PERSONS, PLEASE OBSERVE THE FOLLOWING:**

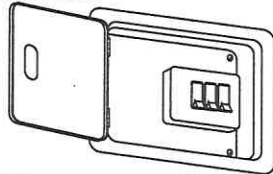
- 1.] To ensure success of installation, be sure read these instructions and review the diagrams thoroughly before beginning.
- 2.] **To avoid possible electric shock, be sure electricity is turned off at the main power box before wiring.**  
All electrical connections must be made in accordance with local codes, ordinances and/or the National Electrical Code. If you are unfamiliar with the methods of installing electrical wiring and products, secure the services of a qualified and licensed electrician as well as someone who can check the strength of the supportive ceiling members and make the proper installations and connections.
- 3.] Make sure that your installation site will not allow rotating fan blades to come into contact with any object. Blades should be at least 7 feet from the floor when fan is in operation.
- 4.] If possible, mount ceiling fan on a ceiling joist - the joist must be able to support the motion and weight of the moving fan. If the fan will be mounted on a ceiling outlet box, a 4" x 2 1/8" deep METAL octagon box is required; one UL listed as "suitable for fan support". The box and its supporting members must not be able to twist or work loose. **DO NOT USE PLASTIC BOXES.** Installation on a concrete ceiling should be performed by qualified personnel.
- 5.] Blades should be attached after motor housing is hung and in place. Fan motor housing should be kept in carton until ready to be installed to protect its finish. If you are installing more than one ceiling fan, make sure that you do not mix fan blade sets.
- 6.] After making electrical connections, spliced conductors should be turned upward and pushed carefully up into the outlet box. The wires should be spread apart with the grounded conductor and the equipment-grounding conductor on one side of the outlet box and the "HOT" wires on the other side.
- 7.] Electrical diagrams are for reference only. Light kits that are not packed with the fan must be UL/ETL listed and should be installed per the light kit's installation instructions.
- 8.] After fan is completely installed, check to make sure that all connections are secure to prevent fan from falling and/or causing damage or injury.
- 9.] The fan can be made to work immediately after installation. The bearings are adequately charged with grease, so that, under normal conditions, further lubrication should not be necessary.
- 10.] The fan turns off and stops before reversing fan direction.
- 11.] This fan is suitable for sloped ceiling.
- 12.] This fan is electrically reversible.
- 13.] This fan is controlled by remote control.
- 14.] This fan is suitable for indoor use or damp location use.

**Unpack and inspect fan carefully to be certain all contents are included.**

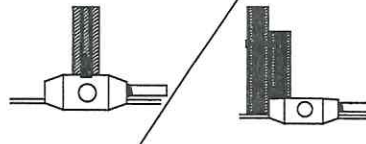


**WARNING: blades should be at least 7 feet from floor**

**Note 1:**  
 Turn off power at breaker box to avoid possible electrical shock.



**Note 2:**  
 Use metal outlet box suitable for fan support.  
 Outlet box must support 35 lbs min.



**Maintenance**

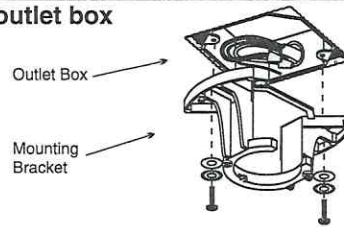
It is recommended to retighten all screws and bolts (blades, downrod, etc) after 30 days after installation and every six months.

It is recommended to wipe down all surfaces every few months with a clean dry cloth to keep the item clean

## 1. HANGING SYSTEM INSTALLATION

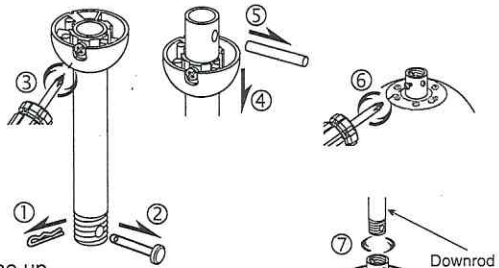
### 1A. Installing mounting bracket to ceiling outlet box

Install mounting bracket to outlet box in ceiling by using screws included with the outlet box and washers from the hardware bag.



### 1B. Installing Downrod and Yoke

- ① Remove Cotter Pin and
- ② Remove Clevis Pin from the downrod.
- ③ Loosen Jam Screw in Ball.
- ④ Slide Ball downward and
- ⑤ Remove Cross Pin.
- ⑥ Loosen Jam Screw in Yoke.



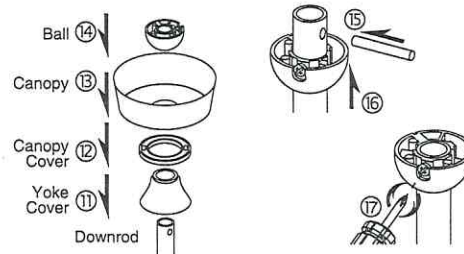
- ⑦ Thread Downrod into Yoke until holes line up.

- ⑧ Insert Clevis Pin through Yoke and Downrod
- ⑨ Insert Cotter Pin through Clevis Pin.
- ⑩ Tighten Jam Screw in Yoke securely.



- ⑪ Slide Yoke Cover,
- ⑫ Canopy Cover,
- ⑬ Canopy and
- ⑭ Ball onto downrod

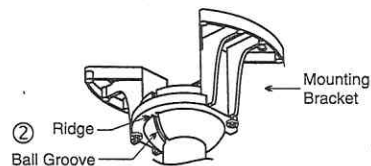
- ⑮ Insert Cross Pin into Downrod.
- ⑯ Slide Ball up to capture the Cross Pin and
- ⑰ Tighten Jam Screw in Ball securely.



### 1C. Hanging the fan

- ① Lift fan assembly onto the mounting bracket.
- ② Rotate the fan so that the groove on the ball engages the ridge on the mounting bracket.

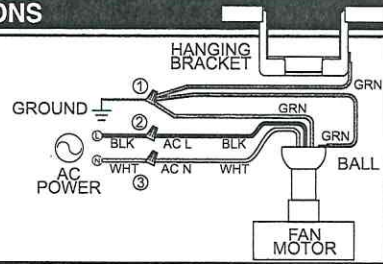
*Be sure that no wires are pinched between ball and bracket.*



## 2. WIRING CONNECTIONS

### 2. Making electrical wire connections

- ① Connect green/ground wires from Hanging Bracket, Ball and Fan to house ground.
- ② Connect black wire (AC L) from Fan to AC power source Line (Hot) from house.
- ③ Connect white wire (AC N) from Fan to AC power source Neutral from house.

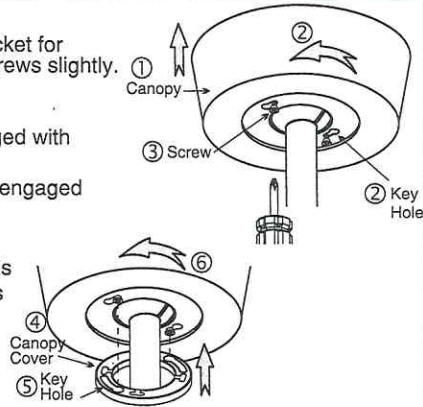


## 3. CANOPY INSTALLATION

### 3. Installing the canopy

Note: Two screws are pre-installed on mounting bracket for canopy installation. You will need to loosen these screws slightly.

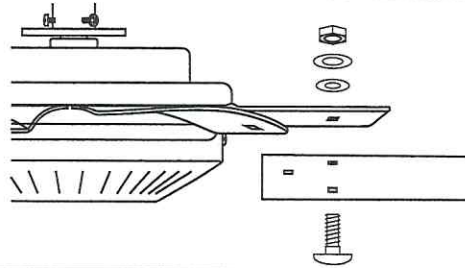
- ① Push up canopy until the screw heads are engaged with the large end of the keyholes on canopy.
- ② Rotate canopy slightly until the screw heads are engaged in the narrow ends of the key hole.
- ③ Tighten both canopy screws.
- ④ Push up Canopy Cover, so that the screws heads are engaged with the large ends of the key holes in the Canopy Cover.
- ⑤ Rotate Canopy Cover slightly until secure.



## 4. BLADE INSTALLATION

### 4. Installing the blades

- ① Raise blade to blade flange, aligning the holes in the blade to those in the flange.
  - ② Secure blade to blade flange with three blade arm carriage bolts, rubber washers, flat washers and hex nuts.
- Repeat for remaining blades.

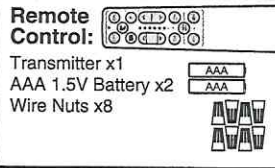


## DC POWER CEILING FAN REMOTE CONTROL

Important: This remote control is to be used for the control of a DC power ceiling fan on 120V 60Hz power supply only. Input power: 120V 60Hz. Output Power: 40W (max) for motor and 30W (max) for light.

Using an additional control on the same circuit will damage the fan. To reduce the risk of fire and electrical shock, do not use a dimmer switch to control fan speed.

Switch power off at the breaker or fuse panel before you begin installing the fan.



FCC ID: KUJCE10710

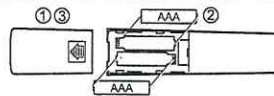
This device complies with part 15 of the FCC rules. Operation is subject to the following two conditions.

- (1) This device may not cause harmful interference, and
- (2) This device must accept any interference received, including interference that may cause undesired operation.

### BATTERY INSTALLATION

- ① Remove the battery cover.
- ② Insert the batteries.
- ③ Replace battery cover.

Battery Type: 1.5V AAA x2



### PAIRING PROCESS

The Receiver and Transmitter are pre-paired at the factory. If you are installing just this one fan, no further pairing is required and you can skip to the next section.

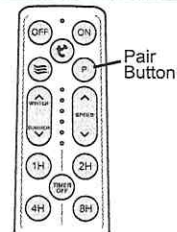
If you wish to operate two fans from one transmitter or are replacing either transmitter or receiver, please follow the steps directly below to pair the receiver to a transmitter.

- ① Turn on power to the fan circuit at the breaker or fuse panel.
- ② Within 10 seconds of restoring power to the fan, you must press and hold the Pair button for about 3 seconds.

When the Receiver has successfully paired to a Transmitter, it will emit a beep sound.

*The Receiver is able to pair to three transmitters. Pairing a fourth will overwrite the first. To clear a pairing, press and hold the Off button for 3+ seconds, receiver will beep twice. Pairing mode can be activated once for each time power is restored.*

*Note: Do not press any buttons prior to pairing the receiver to the transmitter. Doing so will cause the pairing process to fail.*



## MULTIPLE FANS

To install multiple fans operated by their own individual transmitter, simply do not run the pairing process; each fan is pre-paired to its own transmitter at the factory.

To install multiple fans to operate from one transmitter (up to 4 fans), perform the pairing process on both fans at the same time from a point between the fans. Must be within 30 feet of each fan.

If you have multiple fans paired to a single transmitter, and wish to separate them so each fan is operated by its own transmitter, you will need to spend a little more time. Be sure to turn power off at the circuit breaker or fuse panel before connecting or disconnecting wires.

Wire up one fan,

Turn on power and pair successfully (P button for 3+ seconds)

If there are any undesired transmitters paired, unpair them now (Off button for 3+ seconds)

Turn off the power and disconnect that fan's Black AC L wire from the house's Black hot wire.

Wire up the next fan,

Turn on power and pair it successfully to a different transmitter,

Unpair any undesired transmitters,

Turn off the power and disconnect that fan's Black AC L wire from the house's Black hot wire.

Repeat as needed to pair up each fan.

Once all fans have been successfully paired to their own individual transmitter, wire up all of the fans and restore power a final time.

## BUTTON FUNCTIONS



## OPTIONAL WIFI SETTING

- 1.) Download the latest Smart Life app.
- 2.) Follow the instructions to setup a free account if you don't already have one.
- 3.) On your smart-phone, turn on Wifi and Location.
- 4.) Open Smart Life app
- 5A.) Within 10 seconds of powering on, press and hold the Tuya wifi button for 5 seconds for Wifi setup mode. Receiver will beep twice.
  - a. In the app, press +
  - b. Add Device, and wait.

Receiver will beep once for success.

If the app shows "No Devices Found", manually pair it using the 5B steps at right

*To manually add a device in Smart Life:*

- 5B.) Press +
  - a. Add Device
  - b. select Small Home Appliance
  - c. select FAN(WiFi)
  - d. select 2.4GHz Wifi and input password.
  - e. App will show "Confirm device blinking" page.
  - f. Turn off power to the receiver for at least 30 seconds
  - g. Within 10 seconds of powering on, press and hold the Tuya wifi button for 5 seconds.
  - h. After 2 beeps, press "Confirm Device Blinking Rapidly" button in app.
  - i. Countdown to Connecting Device until success.